

STEP 4. Install connectors on download and set 2 cable as shown in Figure 5. Attach download cable to jack on wall plate/power supply marked antenna as shown in Figure 4. Attach cable going to set 2 outlet to jack on power supply marked SET 2. Attach cable coming from cable input to jack on power supply marked CABLE.

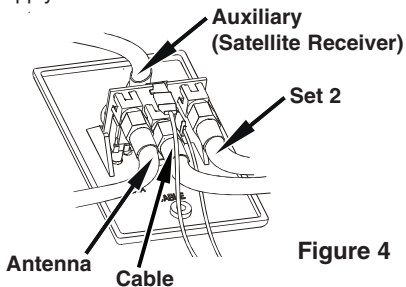


Figure 4

STEP 5. Mount power supply in wall with screws provided and attach TV set cable to jack on front. Connect band separator to VHF and UHF antenna terminals of TV set, if required. Press switch on front of outlet and check that light is on.

OPERATION: To receive cable signals from outdoor receptacle: Press switch to (OFF) position. Light on wallplate will go (OFF) showing that power is no longer connected to the antenna and the TV sets are receiving signals from outdoor receptacle. **To receive signals from antenna:** Press switch to (ON) position. Light on wall plate will come (ON) showing that power is connected to the antenna and the TV sets are receiving signals from the antenna. **NOTE:** Make sure TV antenna is in the (UP) position and pointed at the station

desired. **To receive satellite signal, attach coax from receiver/antenna to Auxiliary jack on wall plate.**

INSTALLING FC-5910 CONNECTORS ON COAX CABLE

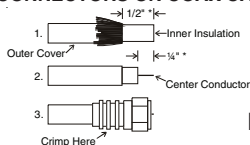


Figure 5

STEP 1: Strip outer cover back 1/2" from end of cable. Fray braid back as far as outer cover will allow.

STEP 2: Trim braid close to outer cover and remove 1/4" of inner insulation **being careful not to nick center conductor.** Make sure no foil or braid can touch center conductor.

STEP 3: Slide connector tip between braid and inner insulation (braid and foil, on foil shield cable) and push connector on cable as far as it will go. Crimp built-in ferrule with proper crimping tool. **Hex connector requires hex crimping tool. Do Not** crush cable out-of-round.

* If installing in very hot weather, increase dimensions 1/8".

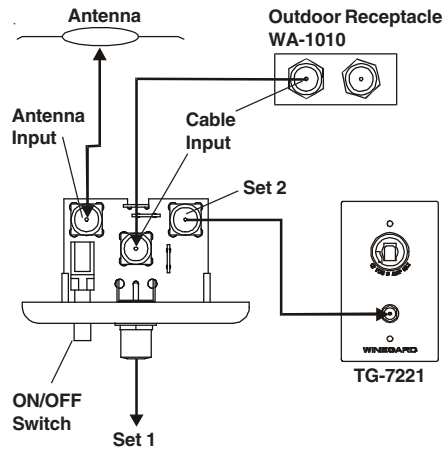
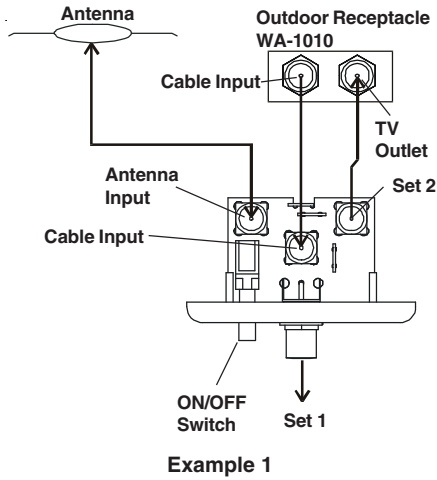
WINEGARD MOBILE PRODUCTS LIMITED WARRANTY (2 YEARS PARTS; 1 YEAR LABOR)

Winegard Company warrants this product against defects in materials or workmanship for a period of two (2) years from the date of original purchase. During year one (1) of such warranty, Winegard Company will also pay authorized labor costs to an authorized Winegard dealer to repair or replace defective products. No warranty claim will be honored unless at the time the claim is made, Customer presents proof of purchase to an authorized Winegard dealer (to locate the nearest authorized Winegard dealer, contact Winegard Company, 3000 Kirkwood Street, Burlington, Iowa 52601, Telephone 800-288-8094 or visit www.winegard.com). Customer must provide proof of purchase with a dated sales receipt for the Winegard product to verify the product is under warranty. If the date of purchase cannot be verified, the warranty period shall be considered to begin thirty (30) days after the date of manufacture.

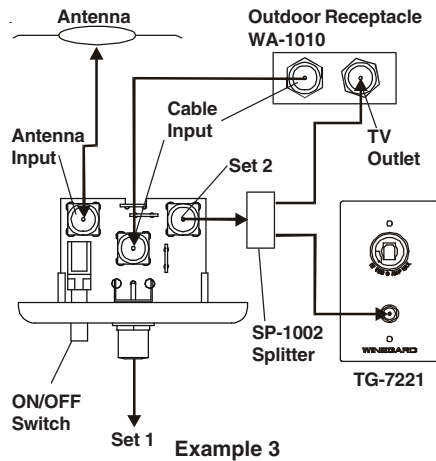
If a defect in material or workmanship is discovered, Customer may take the product to an authorized Winegard dealer for service. Customer must provide proof of purchase to verify the product is under warranty. If the product is brought to an authorized Winegard dealer for service prior to expiration of year one (1) of the warranty period and a defect in material or workmanship is verified by Winegard Technical Services, Winegard Company will cover the Winegard dealer's labor charges for warranty service. The Winegard dealer must contact Winegard Technical Services in advance for

WARNING: Use of this on/off power switch with any product other than Winegard amplified RV antenna, could result in fire or other damage.

APPLICATIONS AND ALTERNATE CONNECTIONS



Example 2



Example 3

INSTRUCTIONS

STEP 1. Select location for wall plate and patio receptacle if required. Run coax cables between locations and install connectors on each end. **Mark cables so they may be identified.** Antenna downlead and +12 VDC will also be needed at inside wall plate/power supply location.

STEP 2. The wall plate assembly may be flush mounted in most standard electrical boxes. To flush mount, cut a hole in wall to fit the box. Route all cables to the wall plate and other outlets required at this time. **The Auxiliary jack is designed for the use of satellite receivers, etc. requiring direct line input.**

WHEN CONNECTING CABLE OR WIRES BE SURE SWITCH IS IN OFF POSITION.

STEP 3. Make +12 VDC connection by running two #12 wires between the wall plate and +12 VDC source. Install terminals on wires from +12 VDC source as shown in Figure 1. Crimp terminals with Craftsman type 4 crimping tool or equivalent. Push wires onto tabs on terminal board as shown in Figure 2. If in doubt as to the polarity of the wires, connect them temporarily to tabs on circuit board and press switch on front of outlet. If light comes on, polarity is correct. See Figure 3.

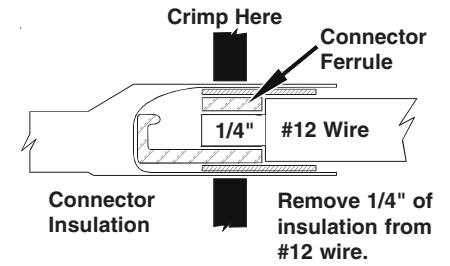


Figure 1

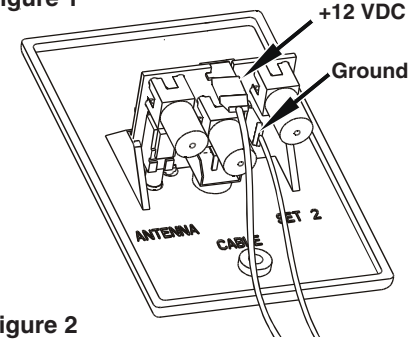


Figure 2

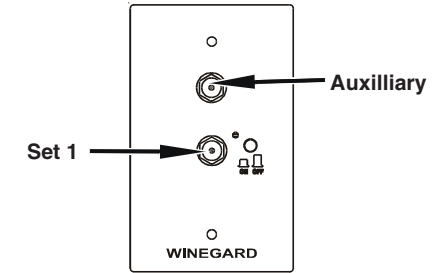


Figure 3